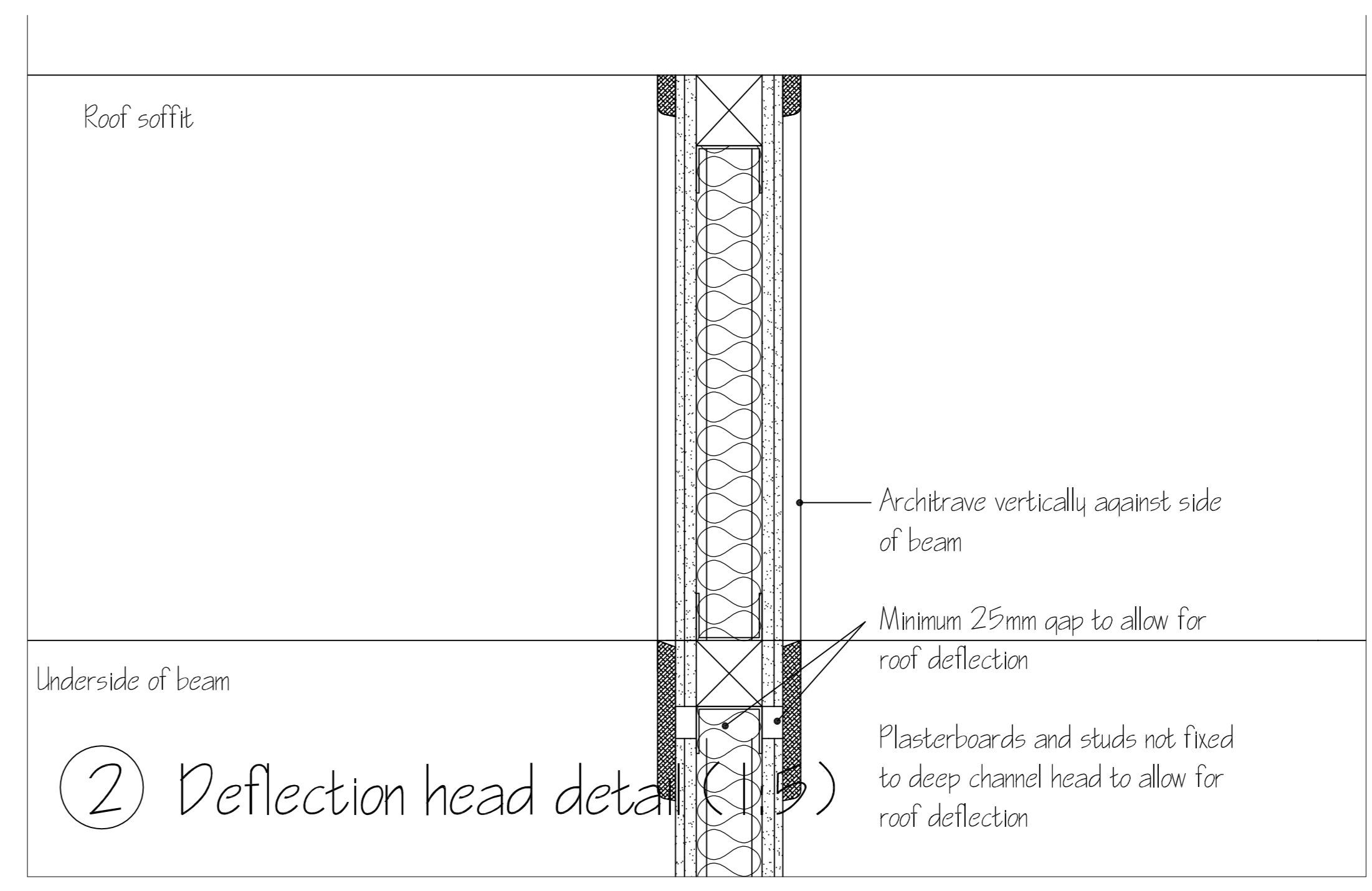
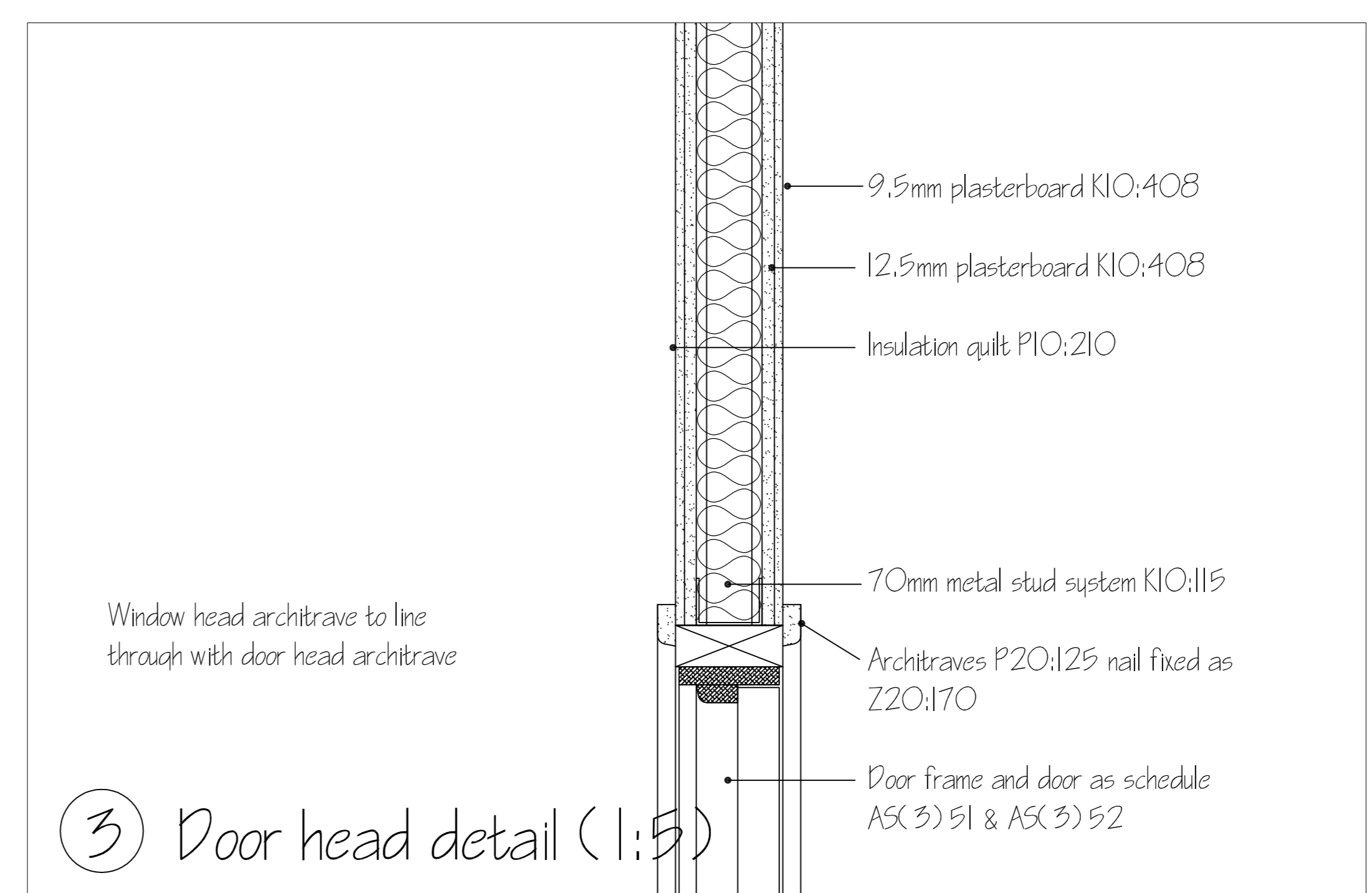


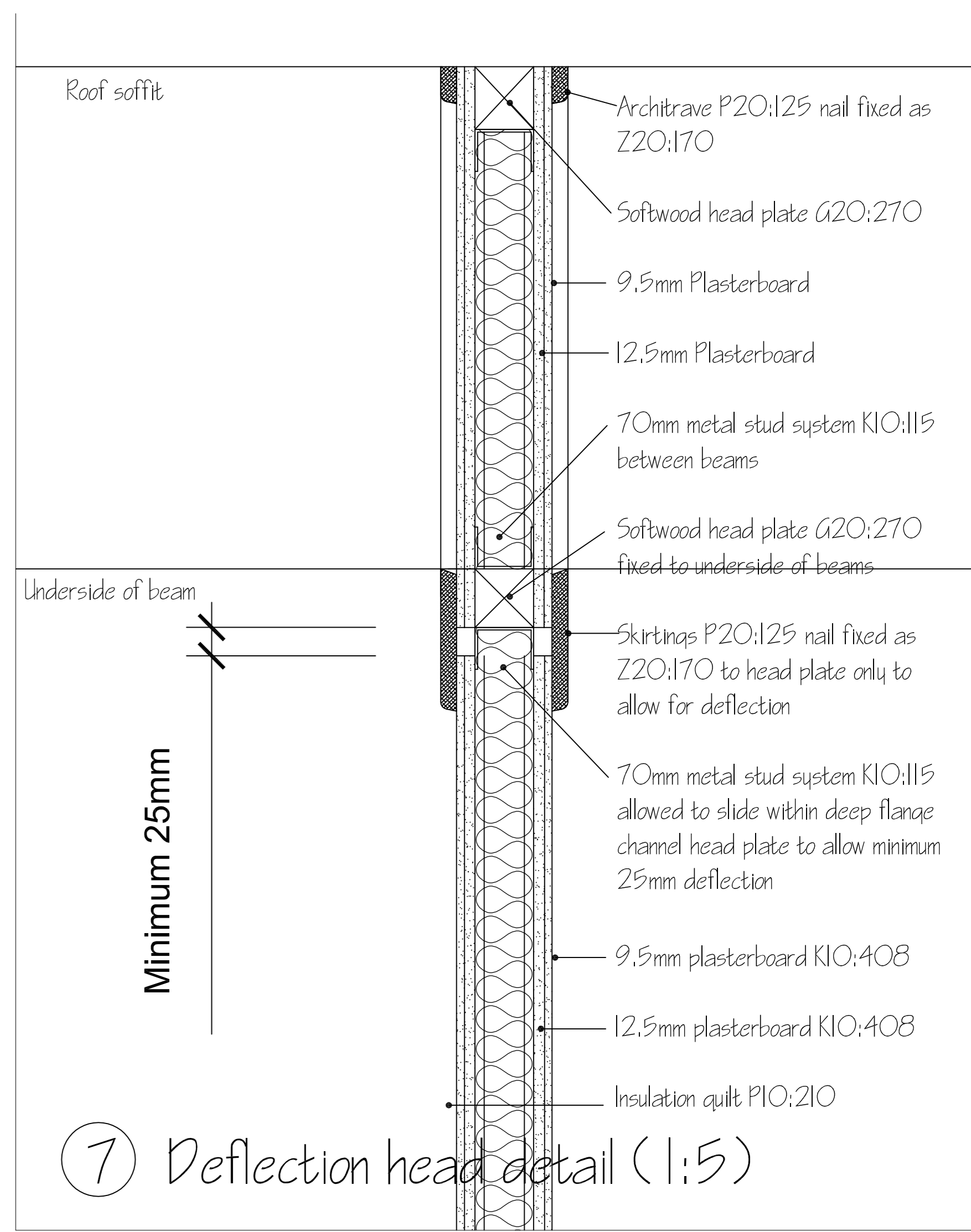
① Plan detail (1:20)



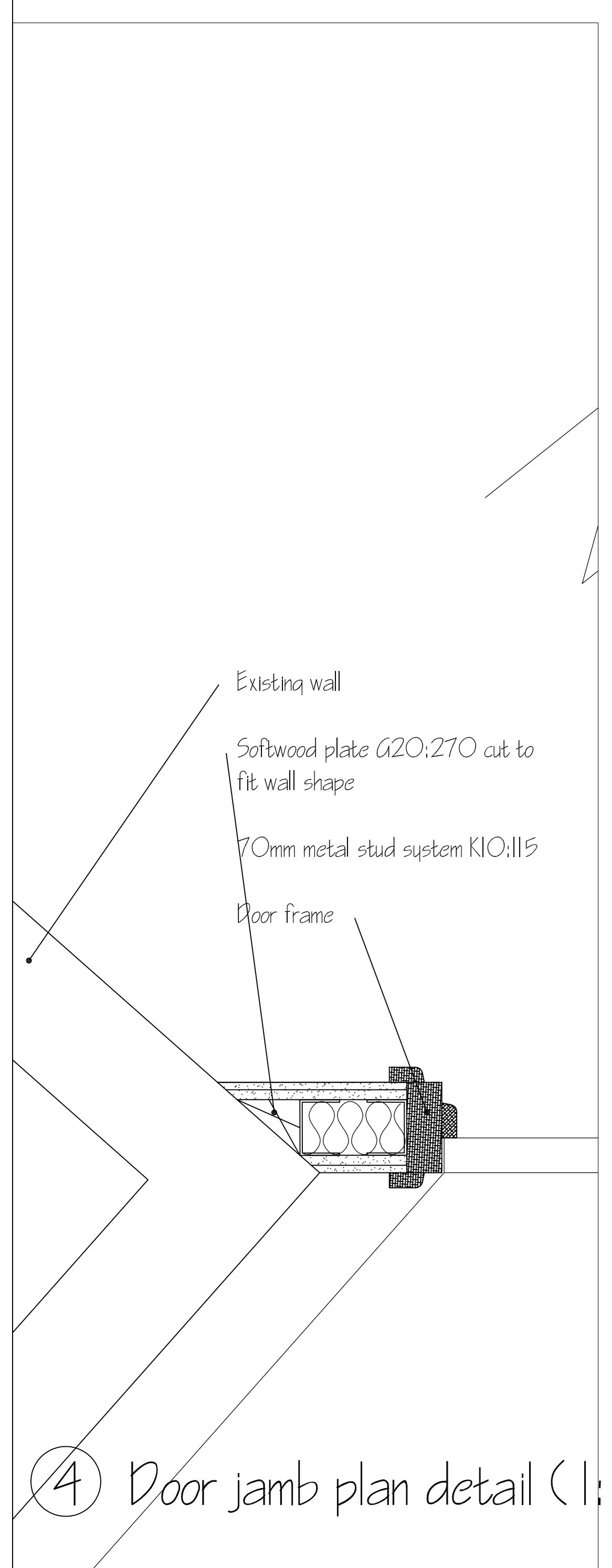
② Deflection head detail (1:5)



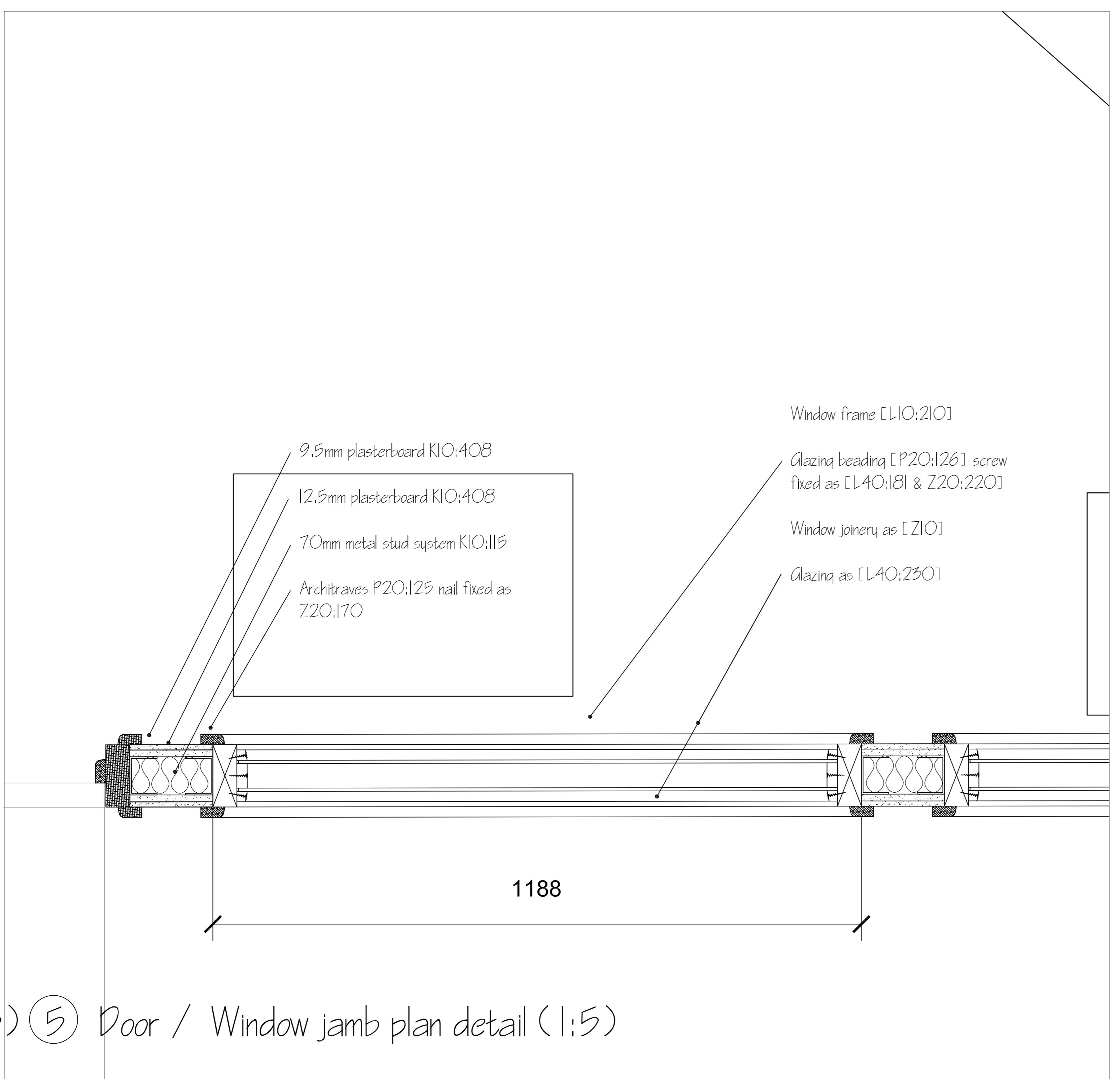
③ Door head detail (1:5)



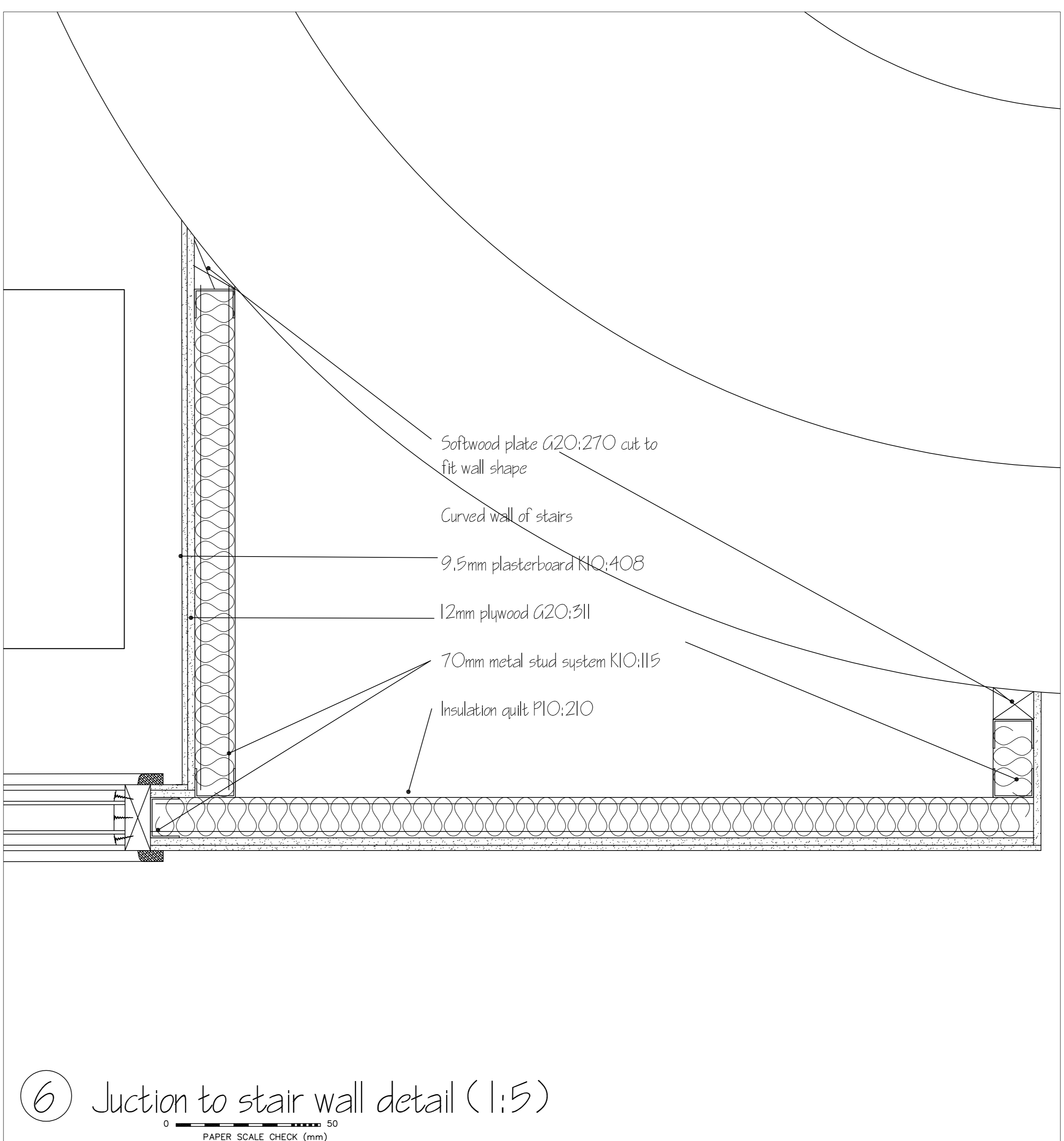
⑦ Deflection head detail (1:5)



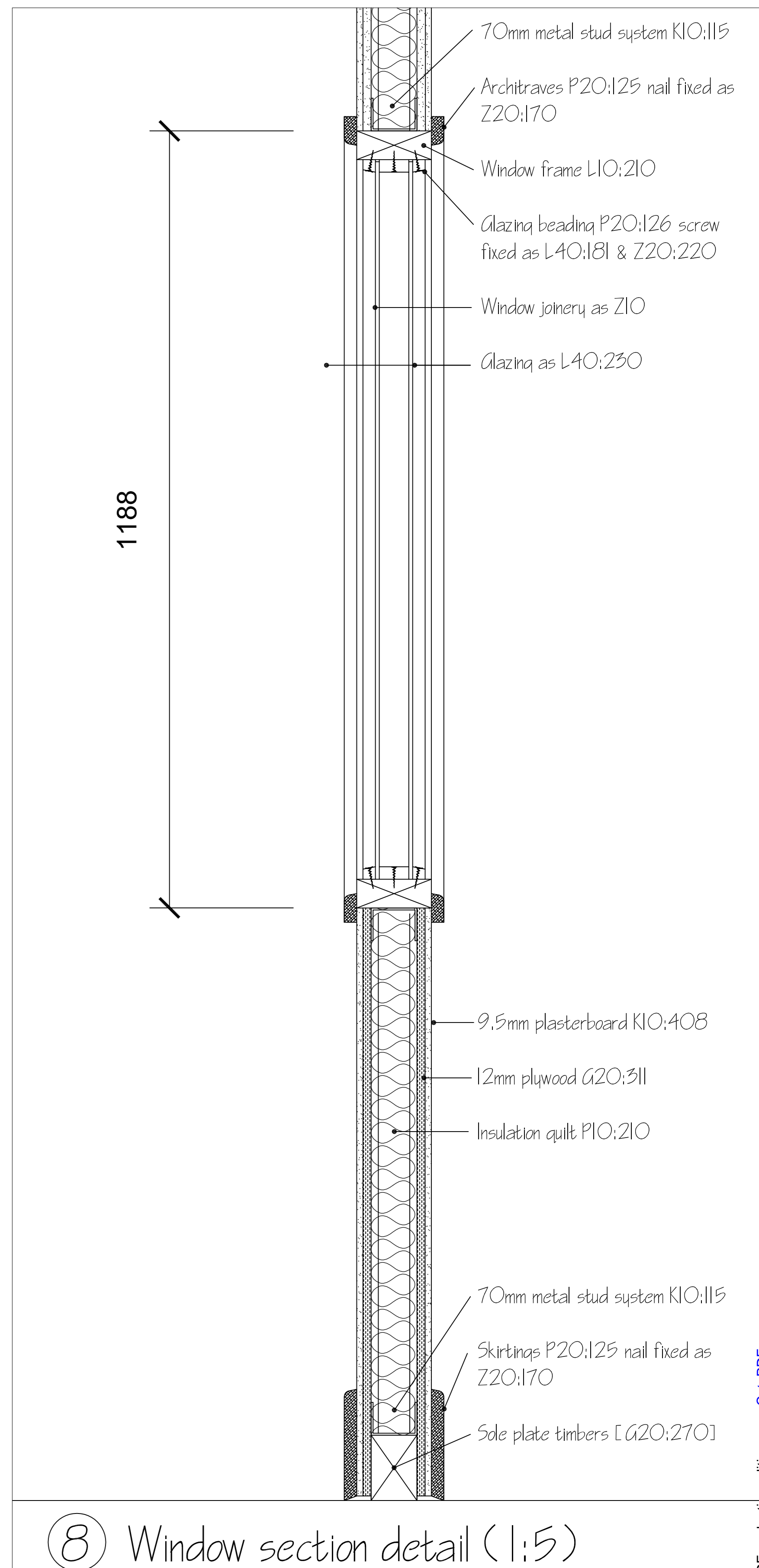
④ Door jamb plan detail (1:5)



⑤ Door / Window jamb plan detail (1:5)



⑥ Junction to stair wall detail (1:5)



⑧ Window section detail (1:5)